

Next Level Precision with the NEW TRP Tru-TracPro™

Field Programmable Motion Feedback is HERE!

Easily configure and reconfigure exact encoder CPR while in the field with our NEW all-in-one TRP Tru-TracPro™ programmable encoder.

- Track velocity, position or distance over a wide variety of surfaces
- Programmable incremental resolution 1-100,000 CPR*
- Easily restore to factory settings and re-program to exact system requirements
- Get up and running quick with easy to download programmer software**

Now including product information via QR code label!



Industry-Leading Warranty



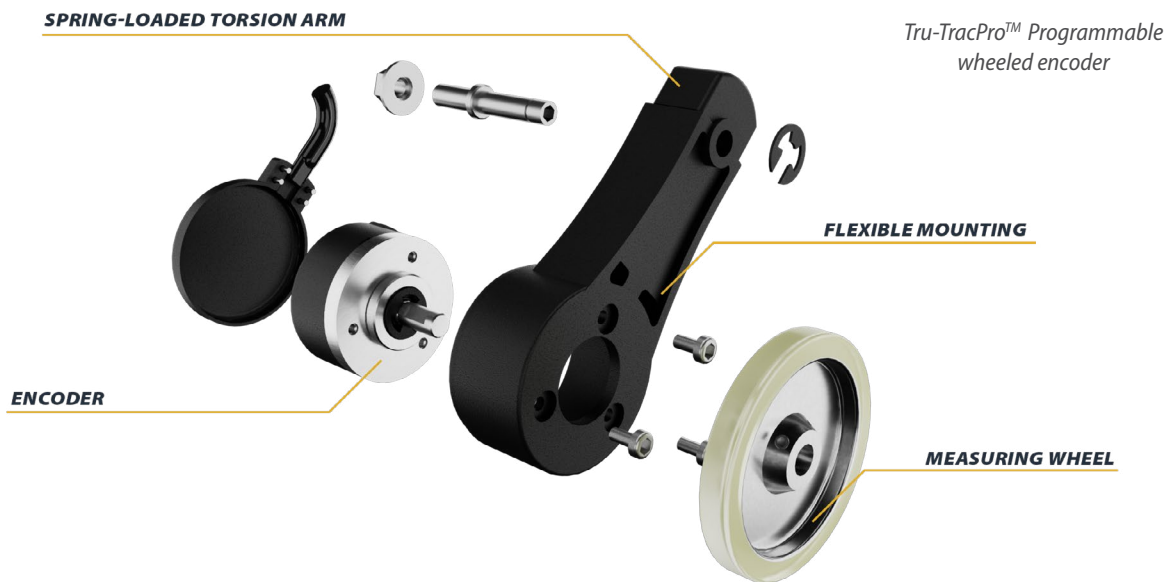
Fast Shipping & Short Lead Times



USA Based since 1969

Next Level Precision with the NEW TRP Tru-TracPro™

- No need to change wheel diameter or size, TRP fits into your system parameters
- Reliable and precise output
- Fast installation for mounting on any surface and in any orientation
- Reduce cost and inventory for a simplified system design



Want to learn more about how the TRP Tru-TracPro wheeled encoder could be right for your application? Give us a call. When you call EPC, you talk to real engineers and encoder experts who can help you specify the right encoder solution for your motion control application.

[Learn More](#)

