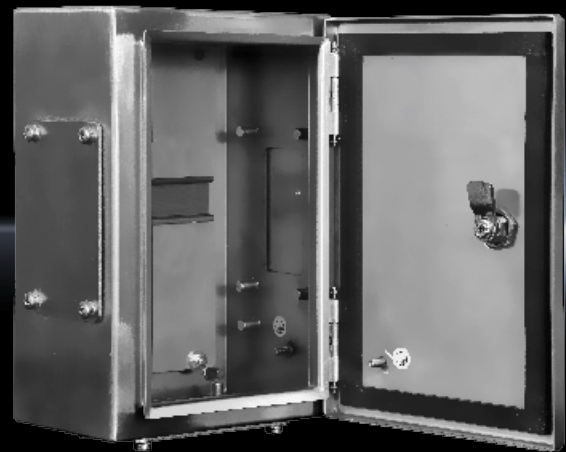


# Rittal – The System.

Faster – better – everywhere.

## ▶ Ex Enclosures



ENCLOSURES

POWER DISTRIBUTION

CLIMATE CONTROL

IT INFRASTRUCTURE

SOFTWARE & SERVICES

FRIEDHELM LOH GROUP



## Ex enclosures

---

Ex enclosure - Small - 03

Ex enclosure - Large - 04



# Ex enclosure-Small



### Applications:

- Zone 1 and 2 or 21 and 22 to 2014/34/EU
- Service temperature, Ts: -50° C to +180° C
- The specified temperatures may be limited by the installed equipment
- Protection type to EN 60 079: Equipment protection due to increased safety, equipment protection due to enclosure

### Material:

- Enclosure: Stainless steel 1.4301 (AISI 304)
- Door: Stainless steel 1.4301 (AISI 304), all-round foamed-in silicone seal
- Mounting plate: Sheet steel, Zinc plated

### Surface finish:

- Enclosure finish- Outside 4B, Inside 2B.
- Mounting plate: Zinc-plated

**Protection category IP to EN 60529 & EN 60079-31**  
- IP 66

### Supply includes:

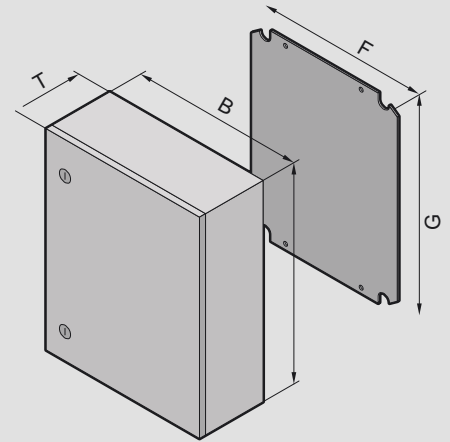
- Enclosure
- Door
- Mounting plate

### Certificates:

- IECEx Certificate No. IECEx ITS 23.0007U
- ATEX Certificate No. ETL23ATEX0183U

### Approvals:

- ATEX
- IEC Ex



## Stainless steel, small enclosure with hinged door, 2.0 mm thick

Width (B) mm	Packs of	200	400	400	600	600	800	800	800	1000
Height (H) mm		300	600	800	600	1200	1200	1400	1400	1500
Depth (T) mm		150	210	300	210	400	300	400	500	500
Mounting plate width (F) mm		145	339	339	539	530	730	730	730	930
Mounting plate height (G) mm		250	560	275	560	1145	1145	1345	1345	1445
<b>Model No.</b>	1 pc(s).	<b>9792.101</b>	<b>9792.102</b>	<b>9792.103</b>	<b>9792.104</b>	<b>9792.105</b>	<b>9792.106</b>	<b>9792.107</b>	<b>9792.108</b>	<b>9792.110</b>
Cam lock with 3 mm double-bit insert		1	2	3	2	4	6	6	6	6
Reinforcement section in the door		-	-	-	■	■	■	■	■	■

Thickness - Enclosure body 2 mm ,Door- 2 mm ,Mounting plate- 3 mm

## Stainless steel, small enclosure with hinged door, 1.5 mm thick

Width (B) mm	Packs of	200	400	400	600	600	800	800	800	1000
Height (H) mm		300	600	800	600	1200	1200	1400	1400	1500
Depth (T) mm		150	210	300	210	400	300	400	500	500
Mounting plate width (F) mm		145	339	339	539	530	730	730	730	930
Mounting plate height (G) mm		250	560	275	560	1145	1145	1345	1345	1445
<b>Model No.</b>	1 pc	<b>9792.121</b>	<b>9792.122</b>	<b>9792.123</b>	<b>9792.124</b>	<b>9792.125</b>	<b>9792.126</b>	<b>9792.127</b>	<b>9792.128</b>	<b>9792.130</b>
Cam lock with 3 mm double-bit insert		1	2	3	2	4	6	6	6	6
Reinforcement section in the door		-	-	-	■	■	■	■	■	■

Thickness - Enclosure body 1.5 mm ,Door- 1.5 mm , Mounting plate- 3mm

## Accessories

Accessories	Packs of	200	400	400	600	600	800	800	800	1000
Wall mount brackets (2433.000/2433.500)	4 Pcs	■	■	■	■	■	■	■	-	-
Pole clamp (9790980)		■	■	■	■	■	■	-	-	-
Plinth		-	-	-	-	-	-	-	*	*

\* For articles 9792.108/128 and 9792.110/130 enclosures are to be stand mounted only. Stand would be in customer scope.

# Other accessories - Available on request # Special dimensions available on request # Material grade SS316L - available on request  
The images shown are for illustration purposes only and may not be an exact representation of the product.

# Ex enclosure-Large



### Applications:

- Zone 1 and 2 or 21 and 22 to 2014/34/EU
- Service temperature, Ts: -50° C to +180° C
- The specified temperatures may be limited by the installed equipment
- Protection type to EN 60 079: Equipment protection due to increased safety, equipment protection due to enclosure

### Material and surface finish:

- Enclosure frame: Stainless steel 1.4301 (AISI 304)
- Roof: Stainless steel 1.4301 (AISI 304)
- Door: Stainless steel 1.4301 (AISI 304)
- Rear panel: Stainless steel 1.4301 (AISI 304)
- Mounting plate: Sheet steel, zinc-plated
- Side Panels: Stainless Steel 1.4301(AISI 304)

### Surface finish:

- Enclosure finish- Outside 4B, Inside 2B.
- Mounting plate: Zinc-plated

### Protection category IP to EN 60529 & EN 60079-31

- IP 66

### Supply includes:

- Enclosure frame
- Door(s)
- R/h single door hinged enclosure.
- Roof plate
- Rear panel
- Mounting plate
- 4 eyebolts
- Lock: 3 mm double-bit
- 2 TS punched rails 18 x 38 mm
- Side panels LH & RH

### Note:

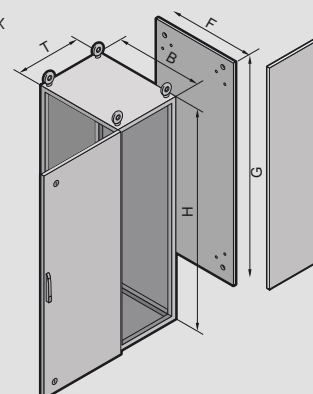
- Due to the hardness of the material, we recommend using metal multi-tooth screws for the interior

### Certificates:

- IECEx Certificate no. IECEx ITS 23.0007U
- ATEX Certificate No. ETL23ATEX0183U

### Approvals:

- ATEX
- IEC Ex



## Stainless steel, large enclosure with hinged door, 2.0 mm thick

Width (B) mm	Packs of	600	600	600	600	800	800	800	800	1000
Height (H) mm		1600	1800	1800	2000	1800	2000	2000	2200	2200
Depth (T) mm		600	400	600	600	600	600	800	600	1000
Mounting plate width (F) mm		499	499	499	499	699	699	699	699	899
Mounting plate height (G) mm		1496	1696	1696	1896	1696	1896	1896	2096	2096
<b>Model No.</b>	1 pc(s).	<b>9792.111</b>	<b>9792.112</b>	<b>9792.113</b>	<b>9792.114</b>	<b>9792.115</b>	<b>9792.116</b>	<b>9792.117</b>	<b>9792.118</b>	<b>9792.120</b>
Reinforcement section in the door		■	■	■	■	■	■	■	■	■
Plinth - 100mm H welded type (with assembly parts)	1 pc	<b>9792.152</b>	<b>9792.151</b>	<b>9792.152</b>	<b>9792.152</b>	<b>9792.153</b>	<b>9792.153</b>	<b>9792.154</b>	<b>9792.153</b>	<b>9792.155</b>

Thickness - Enclosure Door, rear cover, side panels, top cover and bottom cover - 2mm, Mounting plate - 3mm

## Stainless steel, large enclosure with hinged door , 1.5 mm thick

Width (B) mm	Packs of	600	600	600	600	800	800	800	800	1000
Height (H) mm		1600	1800	1800	2000	1800	2000	2000	2200	2200
Depth (T) mm		600	400	600	600	600	600	800	600	1000
Mounting plate width (F) mm		499	499	499	499	699	699	699	699	899
Mounting plate height (G) mm		1496	1696	1696	1896	1696	1896	1896	2096	2096
<b>Model No.</b>	1 pc	<b>9792.131</b>	<b>9792.132</b>	<b>9792.133</b>	<b>9792.134</b>	<b>9792.135</b>	<b>9792.136</b>	<b>9792.137</b>	<b>9792.138</b>	<b>9792.140</b>
Reinforcement section in the door		■	■	■	■	■	■	■	■	■
Plinth - 100mm H welded type (with assembly parts)	1 pc	<b>9792.152</b>	<b>9792.151</b>	<b>9792.152</b>	<b>9792.152</b>	<b>9792.153</b>	<b>9792.153</b>	<b>9792.154</b>	<b>9792.153</b>	<b>9792.155</b>

\*Material and Thickness of plinth - SS 304 / 2mm #Special dimensions available on request #Plinth of 200 mm H - Welded type, available on request  
The images shown are for illustration purposes only and may not be an exact representation of the product.

RIPM/07/00/1123

# Rittal – The System.

Faster – better – everywhere.



# Rittal – The System.

**Faster – better – everywhere.**

- Enclosures
- Power Distribution
- Climate Control
- IT Infrastructure
- Software & Services

Rittal Pvt. Ltd.  
No. 23 & 24 • KIADB Industrial Area • Veerapura  
Doddaballapur - 561 203 • Bengaluru District  
Tel: +91(0)80 - 6141 3900 • Fax: +91(0)80 - 6141 4099  
Email: [info@rittal-india.com](mailto:info@rittal-india.com) • Website: [www.rittal-india.com](http://www.rittal-india.com)

ENCLOSURES

POWER DISTRIBUTION

CLIMATE CONTROL

IT INFRASTRUCTURE

SOFTWARE & SERVICES



FRIEDHELM LOH GROUP